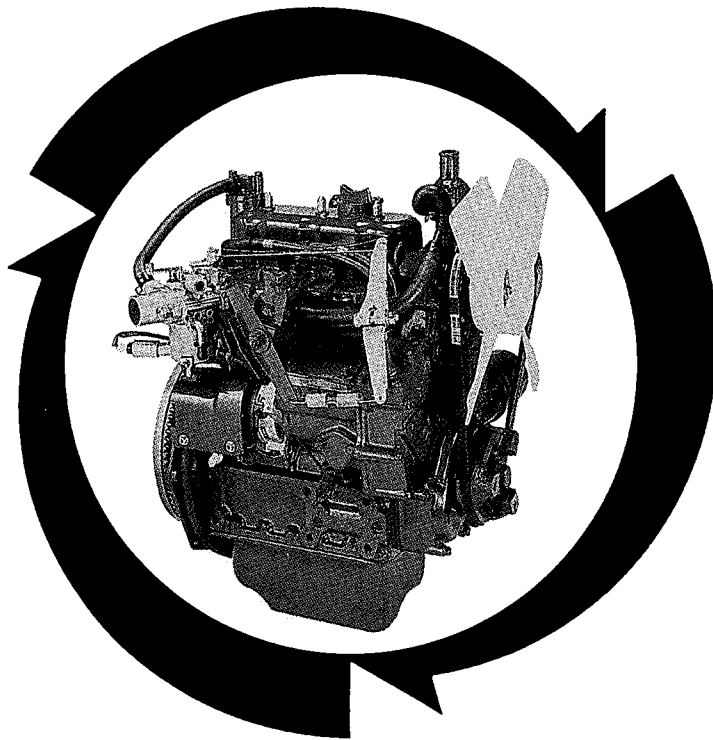


ILLUSTRATED PARTS LIST

KUBOTA

MODEL DF752-E2-BROOKS

DUAL FUEL ENGINE



Kubota

97898-56200
JUL. 2001

NOTICE

This Parts List is for the following purposes.

1. When ordering parts, check with this Parts List to confirm the part number and the name of parts.
2. When making repairs, refer to the illustrations in this Parts List.
3. This Parts List is subject to change without notice.

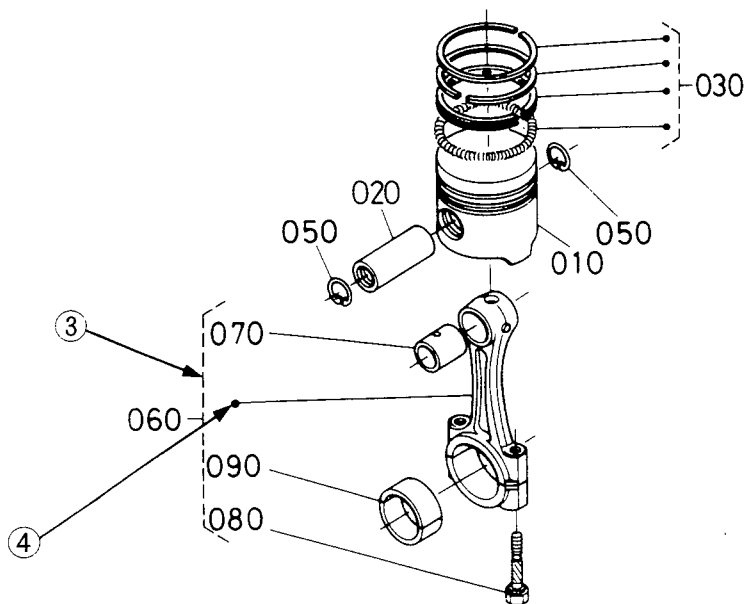
ENGINE	
MODEL	CODE No.
DF752-E2-BROOKS	EG653-20000

INSTRUCTIONS

①
↓
0102 PISTON AND CRANKSHAFT




① ②
↓ ↓
[B] B02-R

⑩ → S.No. ; A: ≤15000, B: 14000 to 15000



REF. No	PART No.	PART NAME	Q'TY/S.No.		I.C.	REMARKS
			A	B		
010	15800-0000-0	PISTON	1 ~15000	1 ~15000	↔	[Example-1]
010	15800-0000-2	PISTON	1 15001~	1 15001~	↔	
020	15800-1000-0	PIN,PISTON	1 ~15000	1 ~15000	↔	
020	15800-1000-2	PIN,PISTON	1 15001~	1 15001~	↔	[Example-2]
030	15800-2000-0	ASSY PISTON RING	1 ~15000	1 ~15000	↔	
030	15830-2000-0	ASSY PISTON RING	1 15001~	1 15001~	↔	[Example-3]

A:XXXX, B:XXXX

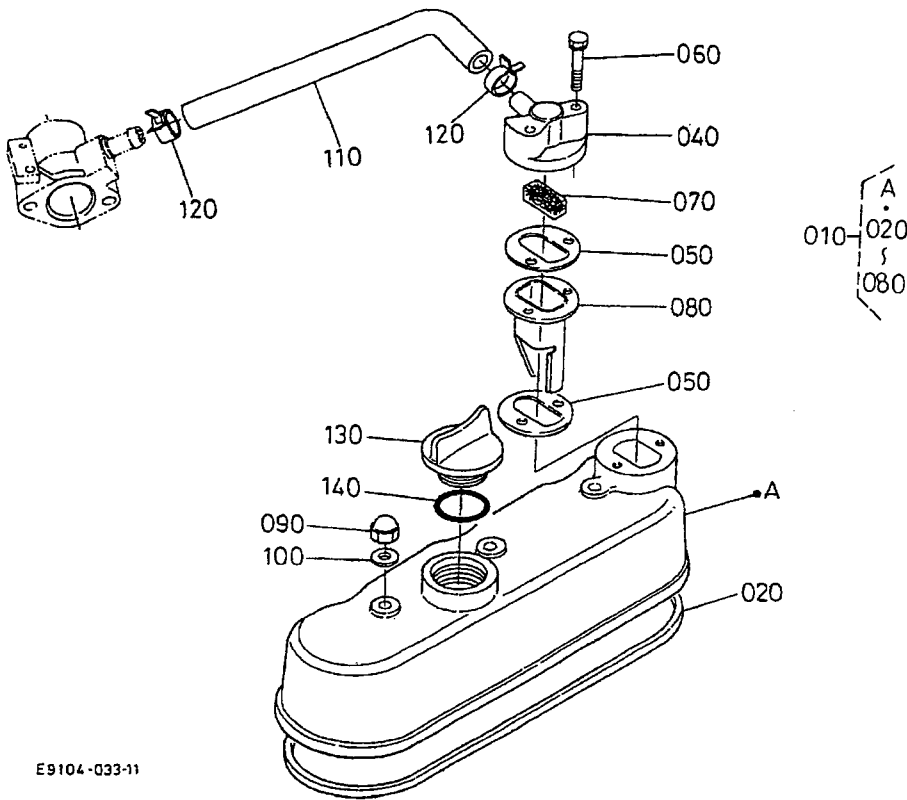
- ① Fig. No. Represents No. corresponding to each group name.
- ② L. No. Substitute for conventional page numbering. Left-hand pages of the parts list are numbered in **XXX-L**, and the right-hand pages in **XXX-R**.
(Location No.)
The location No. are also used in numerical index at the end of parts list.
- ③ Components The components of an assembly are identified by a bracket of dotted lines.
- ④ Point Indicates that the parts is not sold independently.
The assembly (Ref.No.060) containing the part needs to be ordered.
- ⑤ REF. No. Reference numbers are assigned to parts in the illustration. The code number of a part in the illustration can be identified by referring to the same reference number in the parts list.
- ⑥ Model name The name of the basic model is indicated in this column. Other applicable models are indicated on the "REMARKS" column ⑨.
- ⑦ S. No. Indicates a group of serial numbers to which a design change is applied.
(serial No.)
- ⑧ I. C. Indicates the interchangeability of parts due to design change.
(interchangeability)
- Example-1  indicates that a new part can replace an old part, but not vice versa.
15800-0000-0 is applicable to the first serial number to S. No. 15000.
15800-0000-2 is applicable to the first serial number and above.
- Example-2  indicates that the new and old parts are not interchangeable.
15800-1000-0 is applicable to the first serial number to S. No. 15000.
15800-1000-2 is applicable to S. No. 15001 and above.
- Example-3  indicates that the new and old parts are interchangeable.
Both 15800-2000-0 and 15830-2000-0 are applicable to the first serial number and above.
- ⑨ REMARKS 1 In this column, enter other applicable model names, dimensions and other special items.
The following symbols and abbreviations are used throughout this book.
29*12.00-15 Tire size
sq.m m² sq.mm mm²
cu.m m³ cu.mm mm³
D Diameter L Length
- ⑩ REMARKS 2 The following expressions are used in NOTE for each group.
Machines' serial numbers are indicated as follows.
<=15000 Serial number below 15000.
>=15001 Serial number above 15001.
14000 to 15000 Serial number 14000 to 15000.
For some models, the above expressions may also be used REMARKS 1 ⑨.
- ⑪ Specifications The types and destinations of sister models are indicated. These indications are given to tell their relevant pages in this book.
(for sister models)

CONTENTS

[DF752-E2-BROOKS]

0001	CRANK CASE.....	B01-L
0002	OIL PAN.....	B01-R
0003	CYLINDER HEAD.....	B02-L
0004	GEAR CASE.....	B02-R
0005	HEAD COVER.....	B03-L
0006	OIL FILTER.....	B03-R
0007	DIPSTICK AND GUIDE.....	B04-L
0008	OIL PUMP.....	B04-R
0100	MAIN BEARING CASE.....	B05-L
0101	CAMSHAFT AND IDLE GEAR SHAFT.....	B05-R
0102	PISTON AND CRANKSHAFT.....	B06-L
0103	FLYWHEEL.....	B07-L
0105	FUEL CAMSHAFT.....	B07-R
0200	GOVERNOR.....	B08-L
0201	FUEL FILTER.....	B08-R
0202	CARBURETTOR.....	B09-L
0204	FORK LEVER.....	B09-R
0205	SPEED CONTROL LEVER.....	B10-L
0206	VAPORIZER.....	B10-R
0207	FUEL PUMP (ELECTRICAL).....	B11-L
0300	SPARK PLUG AND DISTRIBUTOR.....	B11-R
0301	DISTRIBUTOR (COMPONENT PARTS).....	B12-L
0302	IGNITION COIL.....	B12-R
0402	ALTERNATOR AND PULLEY.....	B13-L
0403	ALTERNATOR (COMPONENT PARTS).....	B13-R
0404	STARTER.....	B14-L
0405	STARTER (COMPONENT PARTS).....	B14-R
0406	OIL SWITCH/THERMOMETER AND PLUG.....	B15-L
0500	WATER FLANGE AND THERMOSTAT.....	B15-R
0501	WATER PUMP.....	B16-L
0502	RADIATOR.....	B16-R
0503	WATER PIPE.....	C01-L
0504	FAN.....	C01-R
0505	RESERVE TANK.....	C02-L
0600	VALVE AND ROCKER ARM.....	C02-R
0601	INLET MANIFOLD.....	C03-L
0602	EXHAUST MANIFOLD.....	C03-R
0603	AIR CLEANER.....	C04-L
0605	MUFFLER.....	C04-R
0801	STARTER SWITCH.....	C05-L
0808	ACCESSORIES AND SERVICE PARTS.....	C05-R
0809	LABEL AND OPERATOR'S MANUAL.....	C06-L
■	NUMERICAL INDEX.....	D01-L

0005 HEAD COVER



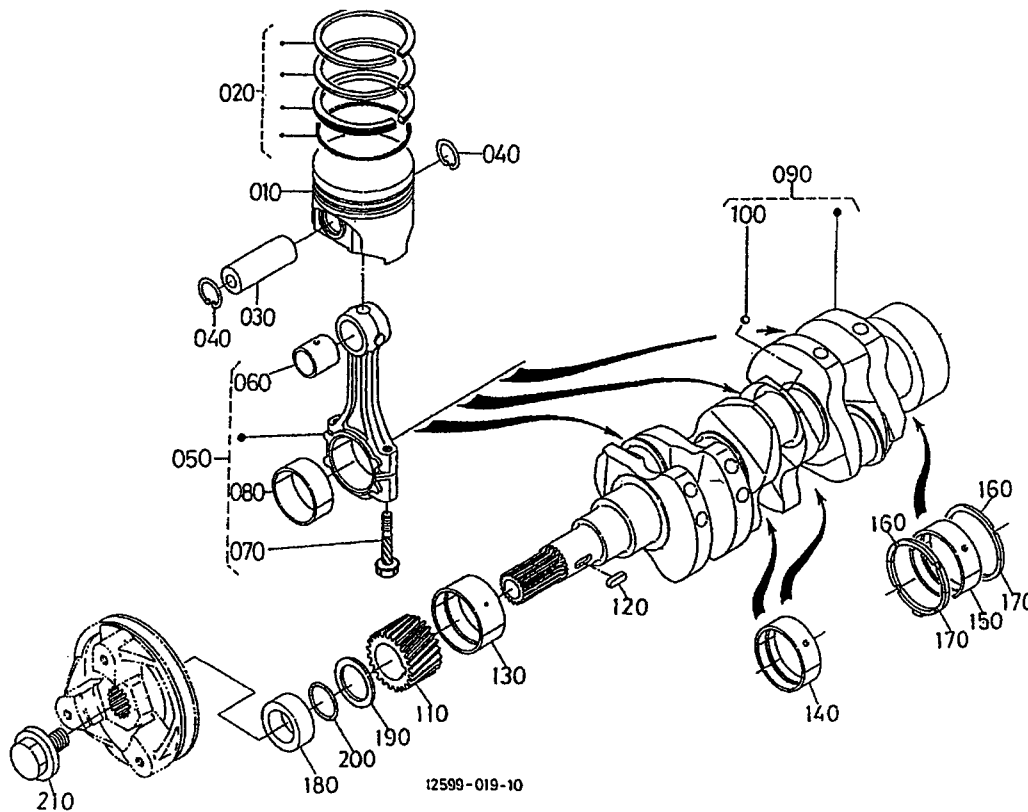
E9104-033-11

A:DF752-E2-BROOKS

REF. No.	PART No.	PART NAME	Q' TY/S. No.		I. C.	REMARKS
			A	B		
010	EG261-1450-0	ASSY COVER, CYL. HEAD	1	-		
020	16861-1452-2	GASKET, HEAD COVER	1	-		
030		BLANK	-	-		
040	EG261-0542-0	COVER, BREATHER	1	-		
050	17524-0513-0	GASKET	2	-		
060	01023-50635	BOLT	2	-		
070	15841-0567-0	ELEMENT, BREATHER	1	-		
080	17472-1449-0	PLATE, BREATHER	1	-		
090	15841-1462-0	NUT	3	-		
100	15601-9665-0	GASKET	3	-		
110	EG261-0551-2	TUBE, BREATHER	1	-		
120	16241-7336-0	BAND, PIPE	2	-		
130	15852-3314-0	PLUG, OIL FILLER	1	-		#
130	E9151-3314-0	PLUG, OIL FILLER	1	-		↔ #
140	04814-50300	O RING	1	-		

↔ Interchangeable: ≠ not interchangeable: ← new for old: → old for new

0102 PISTON AND CRANKSHAFT

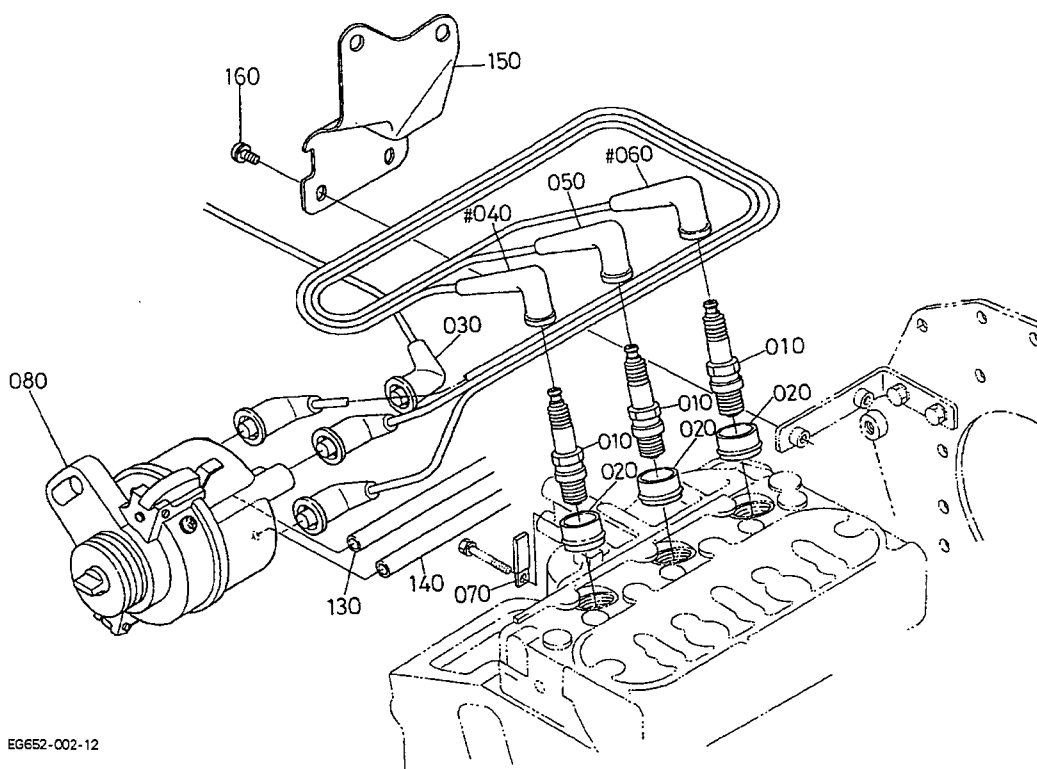


A:DF752-E2-BROOKS

REF. No.	PART No.	PART NAME	Q' TY/S. No.		I. C.	REMARKS
			A	B		
010	EG601-2111-0	PISTON	3	-		STD
010	EG601-2191-0	PISTON	3	-		# +0.5mm
020	12691-2105-3	ASSY PISTON RING	3	-		STD
020	12691-2109-3	ASSY PISTON RING	3	-		# +0.5mm
030	12581-2131-0	PIN, PISTON	3	-		
040	14601-2133-0	CIR CLIP, PISTON PIN	6	-		
050	15861-2201-0	ASSY CONNECTING ROD	3	-		
060	15841-2198-0	BUSH, PISTON PIN	3	-		
070	16851-2214-0	BOLT, CONNECTING ROD	6	-		
080	15861-2231-0	METAL, CRANKPIN	3	-		STD SET
080	15861-2297-0	METAL, CRANKPIN	3	-		-0.2mm SET
080	15861-2298-0	METAL, CRANKPIN	3	-		-0.4mm SET
090	16861-2301-0	COMP. CRANKSHAFT	1	-		
100	07715-03207	BALL	3	-		
110	15841-2411-0	GEAR, CRANK	1	-		
120	05712-00515	KEY, FEATHER	1	-		
130	15861-2347-0	METAL, CRANKSHAFT	1	-		STD
130	15861-2391-0	METAL, CRANKSHAFT	1	-		-0.2mm
130	15861-2392-0	METAL, CRANKSHAFT	1	-		-0.4mm
140	15861-2348-0	METAL, CRANKSHAFT	2	-		STD SET
140	15861-2386-0	METAL, CRANKSHAFT	2	-		-0.2mm SET
140	15861-2387-0	METAL, CRANKSHAFT	2	-		-0.4mm SET
150	15694-2348-0	METAL, CRANKSHAFT	1	-		STD SET
150	15694-2393-0	METAL, CRANKSHAFT	1	-		-0.2mm SET
150	15694-2394-0	METAL, CRANKSHAFT	1	-		-0.4mm SET
160	15261-2353-0	METAL, SIDE	2	-		STD
160	15261-2395-0	METAL, SIDE	2	-		+0.2mm
160	15261-2396-0	METAL, SIDE	2	-		+0.4mm
170	15261-2354-0	METAL, SIDE	2	-		STD
170	15261-2397-0	METAL, SIDE	2	-		+0.2mm

↔ Interchangeable; ≠ not interchangeable; ← new for old; → old for new

0300 SPARK PLUG AND DISTRIBUTOR



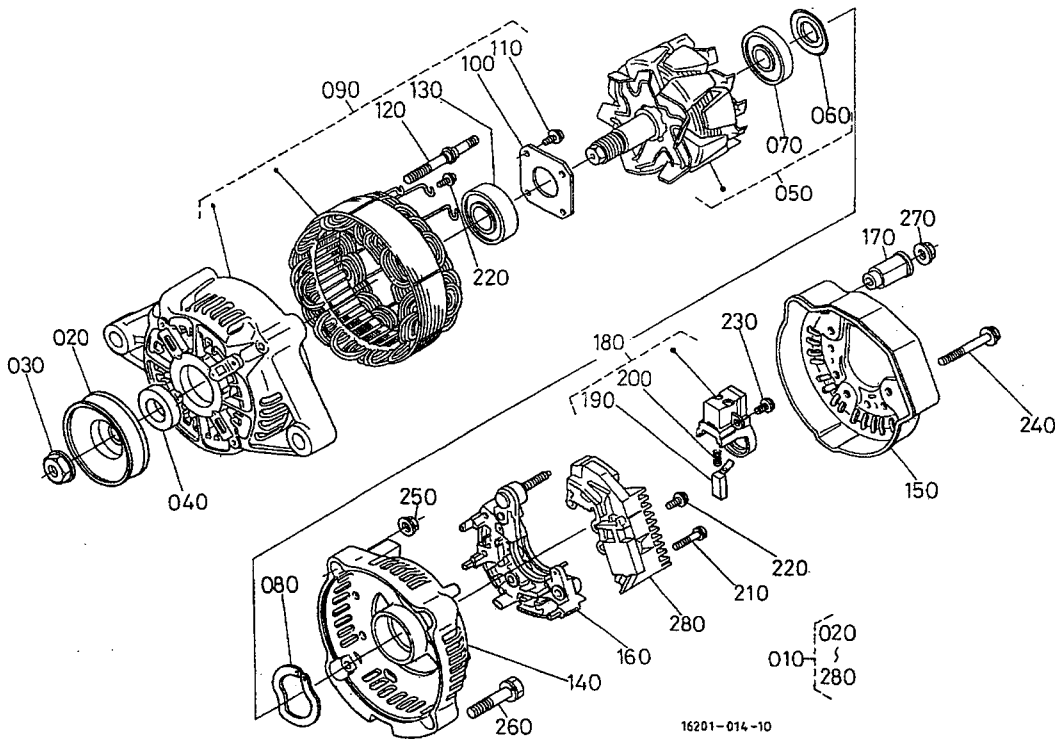
EG652-002-12

A:DF752-E2-BROOKS

REF. No.	PART No.	PART NAME	Q' TY/S. No.		I. C.	REMARKS
			A	B		
010	12599-6771-0	SPARK PLUG	3	-		
020	EG283-6772-0	CAP, SPARK PLUG	3	-		
030	12691-6751-0	ASSY CORD, CENTER	1	-		
040	EG601-6752-0	ASSY CORD, PLUG	1	-		
040	EG601-6752-2	ASSY CORD, PLUG	<=2L7462	-		
040	EG601-6752-2	ASSY CORD, PLUG	>=2N0001	-	←	
050	EG601-6753-0	ASSY CORD, PLUG	1	-		
050	EG601-6753-2	ASSY CORD, PLUG	<=2L7462	-		
050	EG601-6753-2	ASSY CORD, PLUG	>=2N0001	-	←	
060	EG601-6754-0	ASSY CORD, PLUG	1	-		
060	EG601-6754-2	ASSY CORD, PLUG	<=2L7462	-		
060	EG601-6754-2	ASSY CORD, PLUG	>=2N0001	-	←	
070	15272-6759-0	CLAMP, CORD	1	-		
080	EG283-6880-0	ASSY DISTRIBUTOR, AIR	1	-		
090	---	BLANK	-	-		
100	---	BLANK	-	-		
110	---	BLANK	-	-		
120	---	BLANK	-	-		
130	12581-6882-0	PIPE	1	-		
140	EG283-6883-0	PIPE	1	-		
150	12691-6884-0	COVER	1	-		
160	03034-50510	SCREW, WITH WASHER	4	-		

↔ Interchangeable; ≠ not interchangeable; ← new for old; → old for new

0403 ALTERNATOR (COMPONENT PARTS)



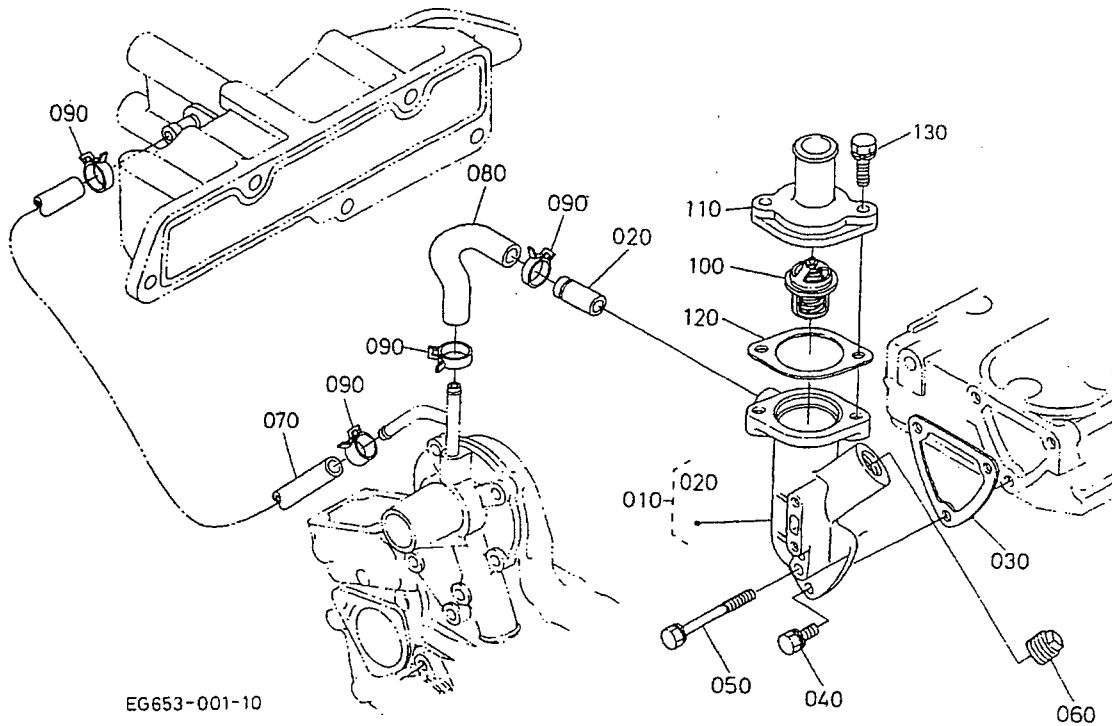
16201-014-10

A:DF752-E2-BROOKS

REF. No.	PART No.	PART NAME	Q' TY/S. No.		I. C.	REMARKS
			A	B		
010	16241-6401-0	ASSY ALTERNATOR	1	-	#	
010	16241-6401-2	ASSY ALTERNATOR	1	-	←	#
020	15881-6411-0	PULLEY, DYNAMO	1	-		
030	15881-9201-0	NUT	1	-		
040	15881-6415-0	COLLAR	1	-		
050	15881-6404-0	ROTOR	1	-	#	
050	66436-6404-0	ROTOR	1	-	←	#
060	15881-6480-0	COVER, BEARING	1	-		
070	15881-6477-0	BEARING, BALL	1	-		
080	15881-6481-0	WASHER, THRUST	1	-		
090	15881-6402-0	FRAME, DRIVE END	1	-	#	
090	66436-6402-0	FRAME, DRIVE END	1	-	≠	#
100	15881-6471-0	PLATE, RETAINER	1	-		
110	15881-9301-0	SCREW, ROUND HEAD	4	-		
120	15881-6426-0	BOLT, THROUGH	2	-		
130	15881-6478-0	BEARING, BALL	1	-		
140	16241-6406-0	FRAME, END	1	-	#	
140	16231-6406-0	FRAME, END	1	-	←	#
150	16241-6423-0	COVER, END	1	-	#	
150	16231-6423-0	COVER, END	1	-	≠	#
160	16231-6485-0	ASSY RECTIFIER	1	-	#	
170	16241-6490-0	BUSH, INSULATION	1	-		
180	15881-6431-0	HOLDER, BRUSH	1	-	#	
180	16652-6431-0	HOLDER, BRUSH	1	-	≠	#
190	15881-6409-0	BRUSH	2	-		
200	15881-6433-0	SPRING, BRUSH	2	-		
210	15881-9302-0	SCREW, ROUND HEAD	2	-		
220	15881-9303-0	SCREW, ROUND HEAD	6	-		
230	15881-9304-0	SCREW, ROUND HEAD	1	-		
240	15881-9104-0	BOLT	3	-		

↔ Interchangeable; ≠ not interchangeable; ← new for old; → old for new

0500 WATER FLANGE AND THERMOSTAT



EG653-001-10

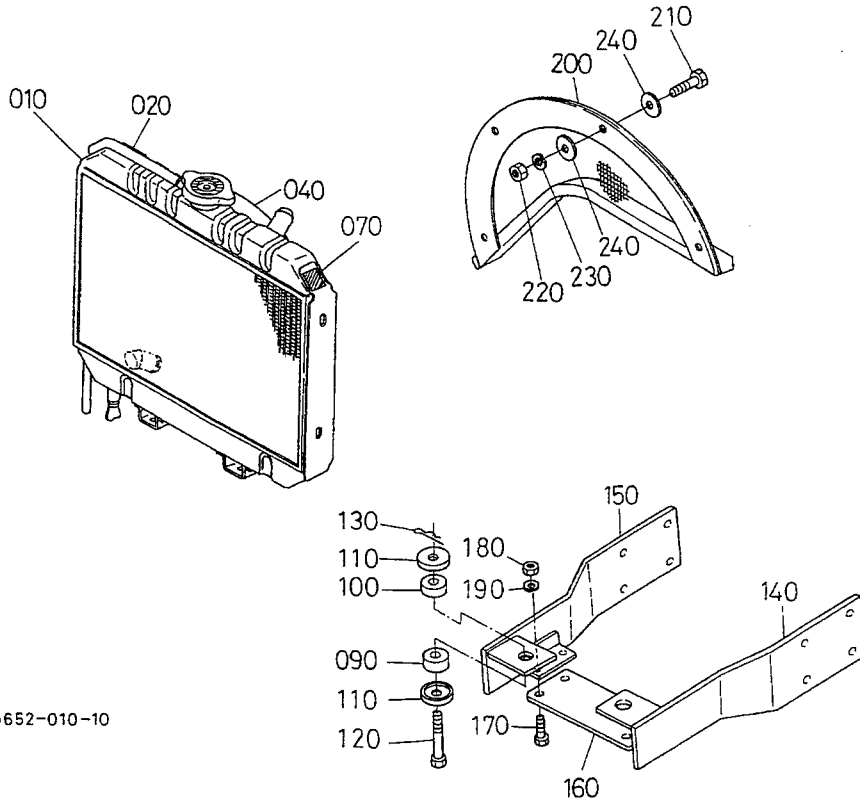
A:DF752-E2-BROOKS

REF. No.	PART No.	PART NAME	Q' TY/S. No.		I. C.	REMARKS
			A	B		
010	16873-7270-4	COMP. FLANGE, WATER	1	-		
020	16241-7337-0	PIPE, WATER RETURN	1	-		
030	15841-7292-2	GASKET, WATER FLANGE	1	-		#
030	15841-7292-3	GASKET, WATER FLANGE	1	-	←	#
040	01023-50616	BOLT	2	-		
050	01023-60650	BOLT	1	-		
060	19298-9602-0	PLUG	1	-		
070	12691-7335-0	PIPE, WATER RETURN	1	-		
080	EG601-7337-0	PIPE, WATER RETURN	1	-		
090	16241-7336-0	BAND, PIPE	4	-		
100	15531-7301-0	ASSY THERMOSTAT	1	-		
110	15841-7326-0	COVER, THERMOSTAT	1	-		
120	16851-7327-0	GASKET, THERMOSTAT	1	-		
130	01023-50622	BOLT	2	-		

↔ Interchangeable; ≠ not interchangeable; ← new for old; → old for new

0502 RADIATOR

#S. No. : <=3Q8902



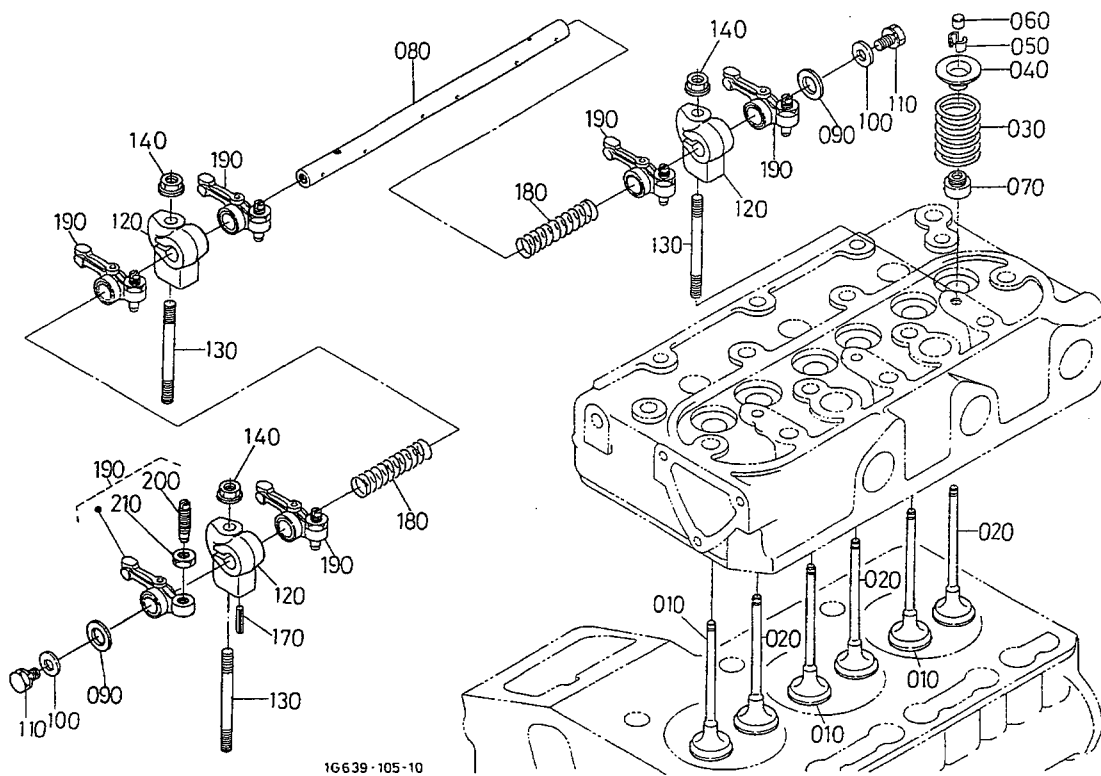
EG652-010-10

A:DF752-E2-BROOKS

REF. No.	PART No.	PART NAME	Q' TY/S. No.		I. C.	REMARKS
			A	B		
010	12691-7206-0	ASSY RADIATOR	1	-		
020	15401-7271-0	PIPE, WATER OVER FLOW	1	-		
030	-----	BLANK	-	-		
040	19427-7233-0	SHROUD, FAN	1	-		
050	-----	BLANK	-	-		
060	-----	BLANK	-	-		
070	16478-8823-0	LABEL, RADIATOR	1	-		
080	-----	BLANK	-	-		
090	15111-7218-0	CUSHION	2	-		
100	15111-7219-0	CUSHION	2	-		
110	15111-7220-0	WASHER	4	-		
120	15108-7238-0	BOLT	2	-		
130	05515-61000	PIN, SNAP	2	-		
140	12586-7213-0	SUPPORT, RADIATOR	1	-		
150	12586-7214-0	SUPPORT, RADIATOR	1	-		
160	19416-7215-0	STAY	1	-		
170	01153-50822	BOLT	4	-		
180	02156-50080	NUT	4	-		
190	04512-60080	WASHER, SPRING	4	-		
200	19427-7412-4	COVER, FAN	1	-		
210	01053-50614	BOLT	4	-		
220	02056-50060	NUT	4	-		
230	04512-60060	WASHER, SPRING	4	-		
240	04014-50060	WASHER, PLAIN	8	-		

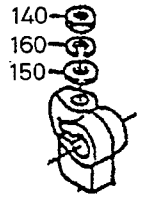
↔ Interchangeable; ≠ not interchangeable; ← new for old; → old for new

0600 VALVE AND ROCKER ARM



16639-105-10

140 02056-50060
 150 04012-50060
 160 04512-60060



1G639-811-10

A:DF752-E2-BROOKS

REF. No.	PART No.	PART NAME	Q' TY./S. No.		I. C.	REMARKS
			A	B		
010	12694-1311-0	VALVE, INLET	3	-		
020	12694-1312-0	VALVE, EXHAUST	3	-		
030	14601-1324-0	SPRING, VALVE	6	-		
040	14601-1333-0	RETAINER, SPRING	6	-		
050	14601-1336-0	COLLET, VALVE SPRING	6	-		SET
060	16851-1328-0	CAP, VALVE	6	-		
070	11420-1315-0	SEAL, VALVE STEM	6	-		
080	15861-1426-3	SHAFT, ROCKER ARM	1	-		
090	16871-1443-0	WASHER	2	-		
100	15841-9402-2	WASHER, PLAIN	2	-		
110	01023-50610	BOLT	2	-		
120	15841-1435-0	BRACKET, ROCKER ARM	3	-		#
120	15841-1435-3	BRACKET, ROCKER ARM	3	-	←	#
130	14601-1441-0	STUD	3	-		
140	02056-50060	NUT	3	-		#
140	02751-50060	NUT, FLANGE	3	-	←	#
150	04012-50060	WASHER, PLAIN	3	-		#
160	04512-60060	WASHER, SPRING	3	-		#
170	05411-00420	PIN, SPRING	1	-		
180	14601-1431-0	SPRING, ROCKER ARM	2	-		
190	15841-1403-0	ASSY ROCKER ARM	6	-		
200	15841-1423-0	SCREW, ADJUSTING	6	-		
210	14601-1424-0	NUT	6	-		

↔ Interchangeable; ≠ not interchangeable; ← new for old; → old for new

NUMERICAL INDEX

NUMERICAL INDEX

PART No.	LOCATION No.	PART No.	LOCATION No.	PART No.	LOCATION No.	PART No.	LOCATION No.
EG261-0542-0	B03-L-040	01023-60650	C03-L-050	04512-60080	B14-L-040	12581-8620-0	C05-R-010
EG261-0551-2	B03-L-110	01023-60670	B02-R-120		B14-L-060	12582-1211-0	C04-R-070
EG261-1151-0	B09-L-080	01053-50612	B07-R-030		B16-R-190	12584-1603-0	B07-R-060
EG261-1450-0	B03-L-010		B08-L-130		C04-L-170	12584-1618-0	B07-R-070
EG261-7337-2	B09-L-075	01053-50614	B16-R-210		C04-R-050	12586-7213-0	B16-R-140
EG261-9149-0	B09-L-040	01053-50622	B08-L-120	04814-00160	B01-R-060	12586-7214-0	B16-R-150
EG266-5640-0	B10-L-010	01053-50630	C04-R-100	04814-06130	B02-R-140	12596-4615-0	B09-L-020
EG272-1160-2	B09-L-070	01123-50816	B02-L-020	04814-16220	B06-R-200	12599-4681-0	B10-L-160
EG281-5166-0	B07-R-020		B07-L-050	04814-50300	B03-L-140	12599-6771-0	B11-R-010
EG281-5634-0	B08-L-110		B12-R-020	05012-00814	B01-L-090	12599-7411-0	C01-R-010
EG281-6855-0	B11-R-110	01123-50816	C04-L-180	05411-00420	C02-R-170	12599-8822-2	C06-L-020
EG281-6856-0	B11-R-170	01123-50828	C04-R-170	05515-61000	B16-R-130	12691-0101-3	B01-L-010
EG283-0446-0	B05-L-050	01123-50830	B13-L-030	05712-00408	B04-R-050	12691-0331-0	B02-L-110
EG283-1197-0	B10-R-040	01123-60814	B01-R-070	05712-00515	B06-L-120	12691-0402-0	B02-R-010
EG283-4585-0	B10-R-020	01153-50822	B16-R-170		B07-R-100	12691-0462-0	B07-L-040
EG283-4662-0	B10-R-030	01153-50828	B14-L-020	05712-00518	B05-R-060	12691-2105-3	B06-L-020
EG283-5581-0	B08-L-030	01153-50865	C04-R-030	07715-00801	B07-R-130	12691-5203-0	B11-L-010
EG283-5582-0	B08-L-040	01153-50875	B13-L-050	07715-03207	B06-L-100	12691-5451-0	C04-R-150
EG283-6772-0	B11-R-020	01202-50608	C03-R-070	07715-03211	B02-R-070	12691-5643-0	B10-L-030
EG283-6865-0	B12-L-060	01202-50612	C04-R-130	07715-03217	B07-R-150	12691-6751-0	B11-R-030
EG283-6880-0	B11-R-080	01222-50830	C04-L-150	08103-06203	B07-R-160	12691-6884-0	B11-R-150
	B12-L-010	01311-10825	B11-R-090	08153-06203	B07-R-080	12691-7206-0	B16-R-010
EG283-6883-0	B11-R-140	01513-50618	C03-R-040	09318-89030	C01-L-080	12691-7285-0	C01-L-060
EG294-5611-0	B08-L-150	01518-50820	B10-L-120	09318-89036	C01-L-100	12691-7294-0	C01-L-070
EG601-2111-0	B06-L-010	01754-50610	C01-R-030	11420-1315-0	C02-R-070	12691-7335-0	B15-R-070
EG601-6752-0	B11-R-040	01759-50616	C03-R-030	12035-4611-0	B09-L-030	12694-1311-0	C02-R-010
EG601-6753-0	B11-R-050	02014-50060	B10-L-060	12182-9331-0	B10-L-050	12694-1312-0	C02-R-020
EG601-6754-0	B11-R-060		C04-R-110	12182-9341-0	B10-L-070	12695-1171-0	C03-L-010
EG601-7303-0	B16-L-010	02056-50060	B16-R-220	12581-1179-0	C03-L-080	12695-8713-0	C06-L-040
EG601-7334-0	B16-L-060		C02-R-140	12581-1182-0	C03-L-020	13641-5686-0	B10-L-080
EG601-7337-0	B15-R-080	02156-50080	B08-L-160	12581-1183-0	C03-L-070	13901-5746-0	B10-L-095
EG601-8916-0	C06-L-010		B09-L-050	12581-1184-0	C03-L-090	14182-9203-0	B13-R-270
EG651-0304-0	B02-L-030		B10-L-130	12581-2131-0	B06-L-030	14601-0345-0	B02-L-100
EG651-4401-0	B09-L-010		B13-L-070	12581-4301-2	B08-R-010	14601-1324-0	C02-R-030
EG651-9990-0	B10-R-010		B14-L-030	12581-5165-0	B07-R-010	14601-1333-0	C02-R-040
01023-50610	B07-L-070		B14-L-050	12581-5512-0	C05-L-010	14601-1336-0	C02-R-050
	C02-R-110		B16-R-180	12581-5515-0	C05-L-040	14601-1424-0	C02-R-210
01023-50612	B01-R-020		C04-L-160	12581-5583-0	B08-L-050	14601-1431-0	C02-R-180
	B05-R-080		C04-R-060	12581-5585-0	B08-L-060	14601-1441-0	C02-R-130
	B07-R-180	02751-50060	C01-L-040	12581-5587-0	B08-L-020	14601-2133-0	B06-L-040
01023-50614	B05-R-140	02756-50060	C03-R-050	12581-5604-0	B09-R-020	15108-7238-0	B16-R-120
	B07-R-050	02783-50100	B04-R-060	12581-5605-0	B09-R-010	15111-7218-0	B16-R-090
	B10-L-150	03034-50510	B11-R-160	12581-5610-0	B08-L-010	15111-7219-0	B16-R-100
01023-50616	B09-L-110	04012-50060	C02-R-150	12581-5615-0	B09-R-060	15111-7220-0	B16-R-110
	B13-L-100	04013-60060	C04-R-140	12581-5631-0	B08-L-070	15221-0175-0	B02-L-010
	B15-R-040	04013-60080	B08-L-170	12581-5633-0	B08-L-100	15221-1117-0	C04-L-070
	C03-L-100		B12-R-030	12581-5635-0	B08-L-190	15221-1141-0	C04-L-060
01023-50618	B02-R-090		B13-L-060	12581-5639-0	B08-L-200	15221-1172-0	C04-L-190
	B08-L-090		C04-R-040	12581-5701-0	B10-L-040	15221-3365-0	B01-L-100
01023-50620	B05-L-070	04014-50060	B16-R-240	12581-5704-0	B10-L-090	15221-3375-0	B01-R-030
01023-50622	B05-L-080	04015-60080	B10-L-110	12581-5724-0	B10-L-100	15221-9262-0	C04-L-040
	B15-R-130		B13-L-090	12581-6850-0	B12-L-020	15221-9443-0	C04-L-050
	B16-L-080	04512-60050	B09-R-040	12581-6851-0	B12-L-040	15227-8748-0	C04-L-110
01023-50625	C03-L-060	04512-60060	B16-R-230	12581-6860-0	B12-L-030	15231-3396-0	B01-L-110
01023-50635	B03-L-060		C02-R-160	12581-6863-0	B12-L-050	15241-1115-0	C04-L-020
	B09-R-070		C04-R-120	12581-6867-0	B12-L-070	15241-1116-0	C04-L-080
01023-50638	B16-L-090	04512-60080	B08-L-180	12581-6882-0	B11-R-130	15241-1135-0	C04-L-090
01023-50675	B02-R-130		B09-L-060	12581-6885-0	B07-L-060	15241-3229-0	B02-R-030
01023-60650	B02-R-100		B10-L-140	12581-6890-0	B12-R-010	15261-0337-0	B02-L-050
	B15-R-050		B13-L-080	12581-6892-0	B12-R-040	15261-2353-0	B06-L-160

NUMERICAL INDEX

PART No.	LOCATION No.	PART No.	LOCATION No.	PART No.	LOCATION No.	PART No.	LOCATION No.
15261-2354-0	B06-L-170	15841-3566-0	B04-R-040	15862-0413-2	B02-R-080	16851-9601-0	B02-R-020
15261-2395-0	B06-L-160	15841-3693-0	B02-R-060	15862-1223-0	C04-R-160	16851-9626-0	B01-L-020
15261-2396-0	B06-L-160	15841-3901-0	B15-L-010	15862-1235-0	C03-R-020	16851-9627-0	B01-L-030
15261-2397-0	B06-L-170	15841-5115-0	B07-R-090	15875-2401-3	B05-R-090	16861-0405-0	B05-L-110
15261-2398-0	B06-L-170	15841-5545-0	B07-R-110	15875-2425-0	B05-R-130	16861-1452-2	B03-L-020
15261-5547-0	B07-R-140	15841-5569-0	B07-R-120	15875-2428-2	B05-R-100	16861-2301-0	B06-L-090
15261-6641-0	B09-R-030	15841-5623-0	B09-R-050	15875-2432-0	B05-R-120	16861-2501-4	B07-L-010
15261-9601-0	B01-L-050	15841-5721-2	B08-L-080	15875-2437-0	B05-R-110	16861-7428-0	B13-L-110
	B02-L-060	15841-7286-0	C01-L-010	15877-0414-0	B02-R-150	16871-1443-0	C02-R-090
15261-9616-0	B01-L-080	15841-7292-2	B15-R-030	15881-1265-0	C03-R-060	16873-7270-4	B15-R-010
15272-6759-0	B11-R-070	15841-7296-0	C01-L-050	15881-2331-0	B06-R-190	17331-5919-0	B01-L-120
15321-9626-0	B02-L-040		C01-L-090	15881-6402-0	B13-R-090	17472-1449-0	B03-L-080
15371-1125-2	C04-L-130	15841-7302-0	B01-L-130	15881-6404-0	B13-R-050	17524-0513-0	B03-L-050
15371-1162-0	C04-L-200	15841-7326-0	B15-R-110	15881-6409-0	B13-R-190	17548-6442-0	B13-L-020
15371-1187-0	C04-L-140	15841-7425-0	C01-R-020	15881-6411-0	B13-R-020	19167-1108-0	C04-L-030
15372-1101-6	C04-L-010	15841-9101-0	B02-R-110	15881-6415-0	B13-R-040	19202-9604-0	C03-L-110
15372-8745-2	C04-L-100		C03-L-040	15881-6426-0	B13-R-120	19237-6591-0	B13-L-150
15372-8775-0	C04-L-120	15841-9105-0	B04-R-030	15881-6431-0	B13-R-180		C05-R-040
15401-7271-0	B16-R-020	15841-9151-0	C01-L-030	15881-6433-0	B13-R-200	19298-9602-0	B15-R-060
15451-9627-0	B01-L-040	15841-9401-0	B02-R-040	15881-6471-0	B13-R-100	19416-7215-0	B16-R-160
15471-7244-0	C02-L-050	15841-9402-2	C02-R-100	15881-6477-0	B13-R-070	19426-8788-0	C06-L-030
15481-7305-0	B16-L-040	15841-9602-0	B02-L-090	15881-6478-0	B13-R-130	19426-8790-3	C06-L-050
15501-7247-0	C02-L-070	15852-0436-0	B05-L-030	15881-6480-0	B13-R-060	19427-7233-0	B16-R-040
15501-8821-0	C02-L-020	15852-2516-0	B07-L-030	15881-6481-0	B13-R-080	19427-7412-4	B16-R-200
15521-9361-0	B05-R-040	15852-3314-0	B03-L-130	15881-7287-0	C01-L-020	19449-7250-2	C02-L-080
15521-9602-0	B01-L-060	15852-5285-0	B09-L-090	15881-7343-2	B16-L-070	19837-6315-0	B14-R-060
15521-9603-0	B01-L-070	15852-6301-0	B14-L-010	15881-9103-0	B06-R-210	19837-6437-2	B13-L-040
15531-7240-2	C02-L-010		B14-R-010	15881-9104-0	B13-R-240	19838-6583-0	B13-L-130
15531-7241-0	C02-L-015	15852-6302-0	B14-R-030	15881-9105-0	B13-R-260		C05-R-020
15531-7242-2	C02-L-030	15852-6303-0	B14-R-040	15881-9201-0	B13-R-030	19872-6588-0	B13-L-140
15531-7243-2	C02-L-040	15852-6304-0	B14-R-070	15881-9202-0	B13-R-250	19872-6588-0	C05-R-030
15531-7244-2	C02-L-060	15852-6305-0	B14-R-020	15881-9301-0	B13-R-110	19883-7351-0	B16-L-050
15531-7301-0	B15-R-100	15852-6307-0	B14-R-090	15881-9302-0	B13-R-210	34070-7085-0	B11-R-100
15531-7334-0	C03-L-030	15852-6308-0	B14-R-110	15881-9303-0	B13-R-220	66436-6460-0	B13-R-280
15601-9665-0	B03-L-100	15852-6320-0	B14-R-160	15881-9304-0	B13-R-230	66711-5441-0	C04-R-010
	B07-R-040	15852-6324-0	B14-R-050	15881-9701-0	B13-L-120	66711-5442-0	C04-R-020
	B08-L-140	15852-6325-0	B14-R-170	16241-6401-0	B13-L-010	66711-5455-0	C04-R-080
15694-2348-0	B06-L-150	15852-6332-0	B14-R-080		B13-R-010	66711-5456-0	C04-R-090
15694-2393-0	B06-L-150	15852-6336-0	B14-R-120	16241-6406-0	B13-R-140	66711-5513-0	C05-L-020
15694-2394-0	B06-L-150	15852-6337-0	B14-R-150	16241-6423-0	B13-R-150	66711-5524-0	C05-L-030
15841-0409-0	B05-L-010	15852-6338-0	B14-R-130	16241-6485-0	B13-R-160	6C090-5896-0	B01-R-040
15841-0454-0	B05-L-020	15852-6339-0	B14-R-140	16241-6490-0	B13-R-170		
	B05-L-100	15852-6341-0	B14-R-100	16241-7336-0	B03-L-120		
	B05-L-120	15852-7352-0	B16-L-020		B15-R-090		
15841-0456-2	B05-L-130	15852-7355-0	B16-L-030	16241-7337-0	B15-R-020		
15841-0481-0	B05-L-040	15852-9331-0	B14-R-180	16264-5214-0	B09-L-100		
15841-0482-2	B05-L-060	15853-3243-0	B03-R-010	16478-8823-0	B16-R-070		
15841-0567-0	B03-L-070	15861-1426-3	C02-R-080	16635-1231-3	C03-R-010		
15841-1354-0	B02-L-070	15861-1601-0	B05-R-030	16851-0404-0	B05-L-090		
15841-1356-0	B02-L-080	15861-2201-0	B06-L-050	16851-1328-0	C02-R-060		
15841-1403-0	C02-R-190	15861-2231-0	B06-L-080	16851-1511-0	B05-R-020		
15841-1423-0	C02-R-200	15861-2297-0	B06-L-080	16851-1555-0	B05-R-010		
15841-1435-0	C02-R-120	15861-2298-0	B06-L-080	16851-2214-0	B06-L-070		
15841-1462-0	B03-L-090	15861-2347-0	B06-L-130	16851-3211-0	B01-R-050		
15841-1627-0	B05-R-070	15861-2348-0	B06-L-140	16851-3501-0	B04-R-010		
15841-1632-0	B07-R-170	15861-2386-0	B06-L-140	16851-3515-2	B04-R-020		
15841-1651-0	B05-R-050	15861-2387-0	B06-L-140	16851-3641-0	B04-L-010		
15841-2198-0	B06-L-060	15861-2391-0	B06-L-130	16851-3695-0	B02-R-050		
15841-2325-0	B06-L-180	15861-2392-0	B06-L-130	16851-6382-2	B07-L-020		
15841-2411-0	B06-L-110	15862-0150-0	B01-R-010	16851-7327-0	B15-R-120		

PIES.No.		EBK0000018
BLOCK No.	LINE No.	(A)
01	01	EG653-20000 DF752-E2-BROOKS

KUBOTA

THE BASIC NECESSITIES GIANT

"Technology for the Needs of Tomorrow" is the ambition of everyone at KUBOTA. Through research and the development of new products for agriculture, industry, construction, and many other areas of modern life, we at KUBOTA hope to realize this goal.